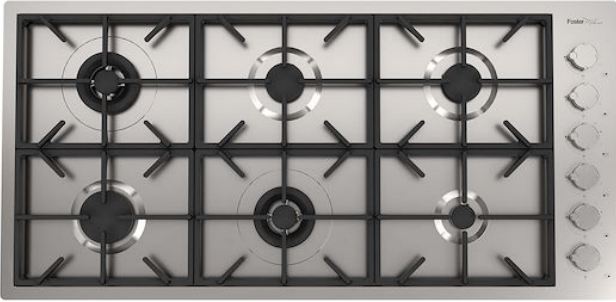


## Milano Cooktop 6 burners



Gas cooktops

Code: 7639 900

AISI 304 Stainless steel

Satin finish

Enamelled cast iron grids and burner covers

Electric under-knob ignition

Gas taps with safety valves



### DETAILS

Finish Foster brushed

---

Material AISI 304 stainless steel

---

**Series** Foster Milano

---

Texture Satin

---

**Dimensions** 45 <sup>7</sup>/<sub>16</sub>" x 22 <sup>1</sup>/<sub>16</sub>"

---

Kind of Edge 1 mm – flush edge

---

Installation Flush-mount or overmount

---

Flush-mount cut-out See cut-out drawing

---

Overmount cut-out 44 <sup>5</sup>/<sub>8</sub>" x 21 <sup>1</sup>/<sub>4</sub>"

---

Grids Enamelled cast iron

---

Cooktop controls Knobs

---

Knobs Solid Metal

---

Safety Safety valves

---

Total power Btu/h 65,000 Btu/h

---

**Burners** 6

---

DC 15,500 (2x) Btu/h

---

Rapid 10,750 Btu/h

---

Semirapid 9,100 (2x) Btu/h

---

Auxiliary 5,000 Btu/h

---

Simmer ring 3

---

Simmer Rate 900 Btu/h

---

## **Technical requirements**

---

Electrical supply 120V 60Hz

---

Gas std setting

Natural Gas

LP Gas conversion

Kit for all burners included

## Optional accessories

Cast iron wok support

## FEATURES

Under-knob ignition

The utmost freedom of movement with electronic under-knob ignition, a common feature of all models that allows a one-hand ignition of the burner.

Aeo burners

The AEO burners guarantee up to 25% energy saving compared to standard burners. All models are designed with The Dual burner with 2 independent crowns, controlled by a single knob, delivers from 1 to 5KW, a power that can only be found in professional models.

Special burners

Many Foster hobs are equipped with special burners, with two or three rings of fire that greatly increase the power delivered and the heated surface. In the DUAL models the two fire crowns also have independent ignition, making these burners perfect for both intensive and delicate cooking.

Safe cooking

All Foster cooker hobs are equipped with safety valves. They shut off the gas supply very quickly if the flame accidentally goes out.

XXL grids

The weighty enamelled cast iron grid has extraordinary dimensions, 33x25 cm, with a working surface up to 50% bigger compared to a standard cooker hob. Now you can use all the burners at the same time even with large cookware.

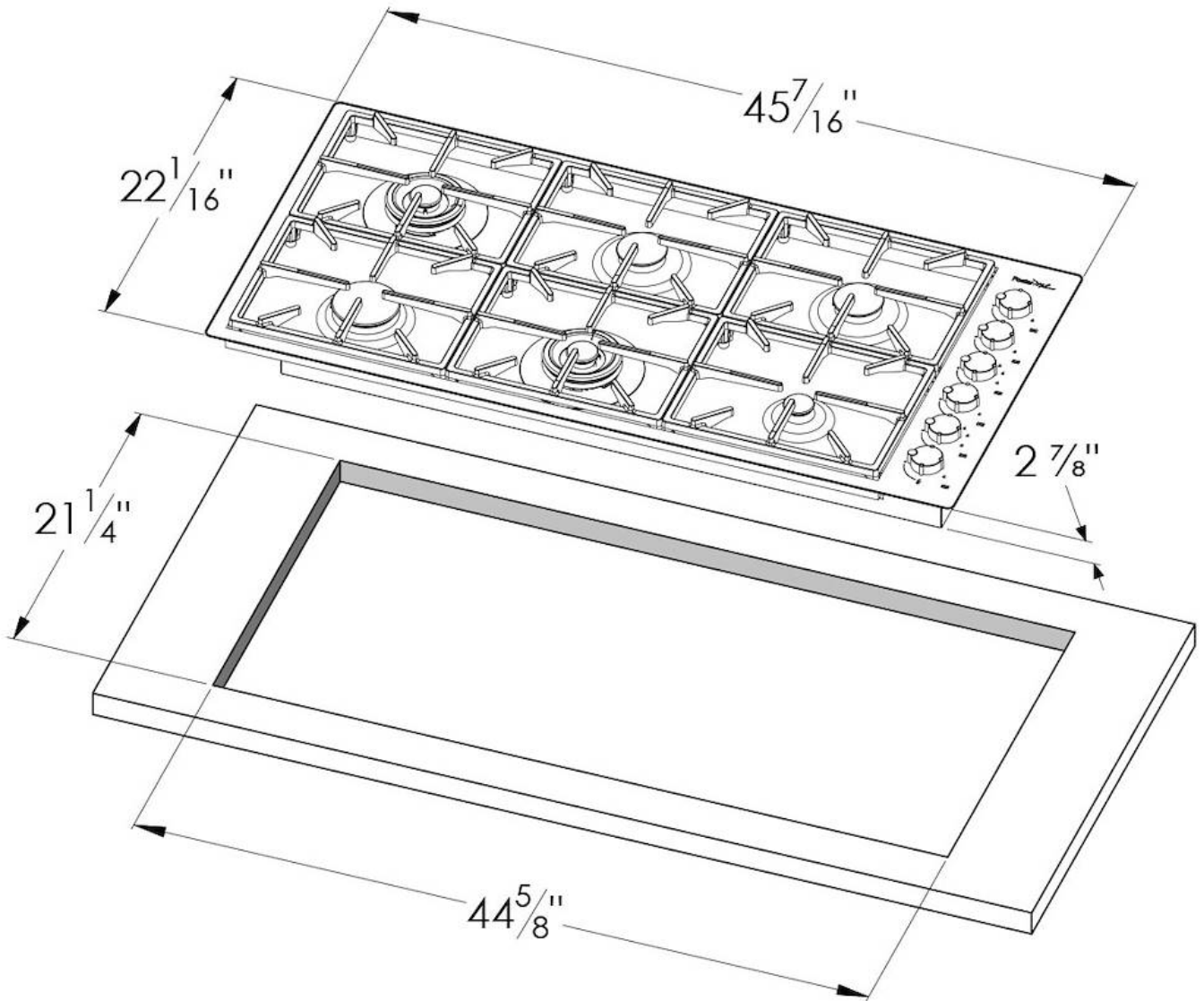
56 cm deep

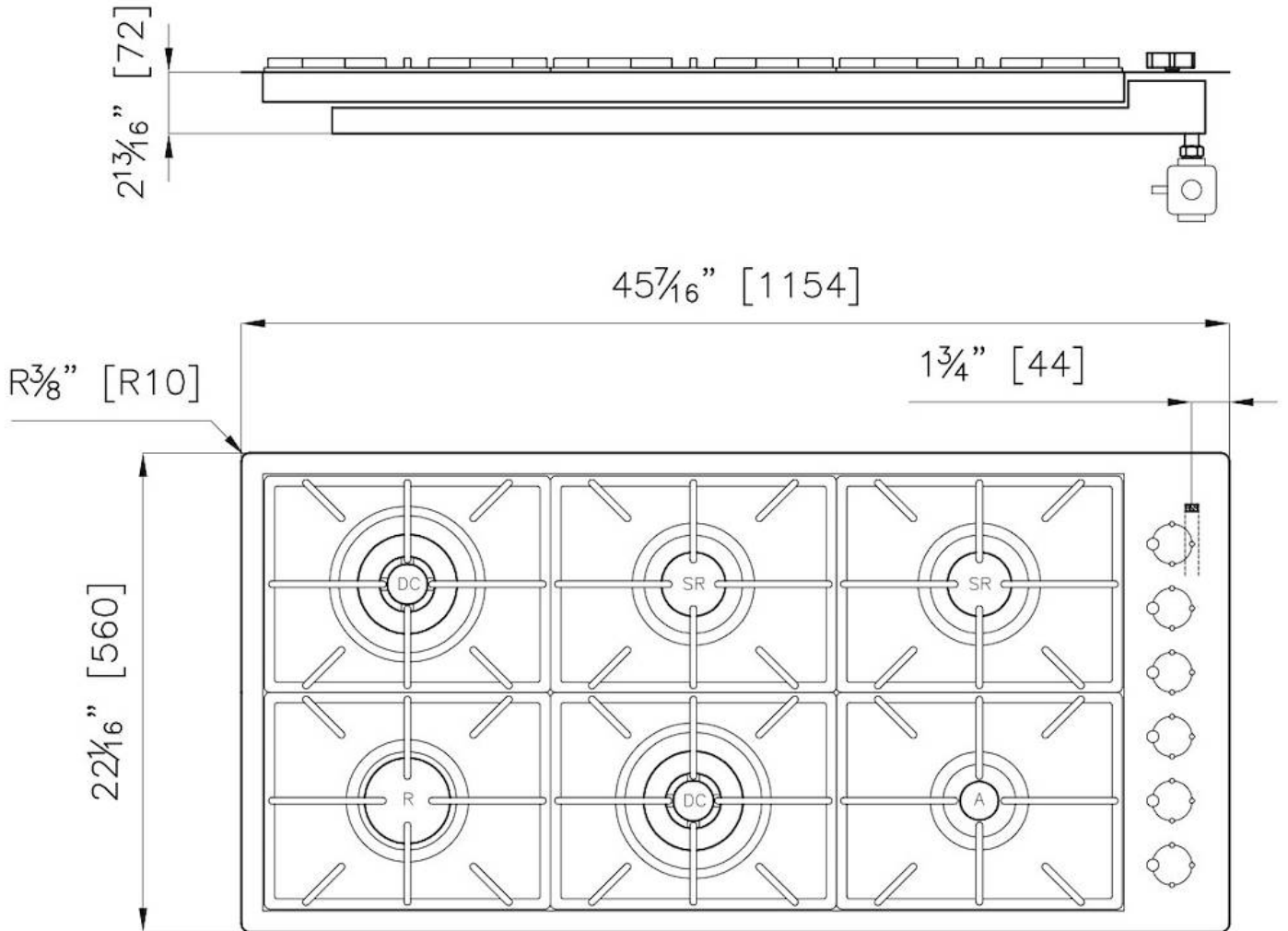
56 cm deep. An increased dimension synonymous with great functionality, which distinguishes the Foster Milano series.

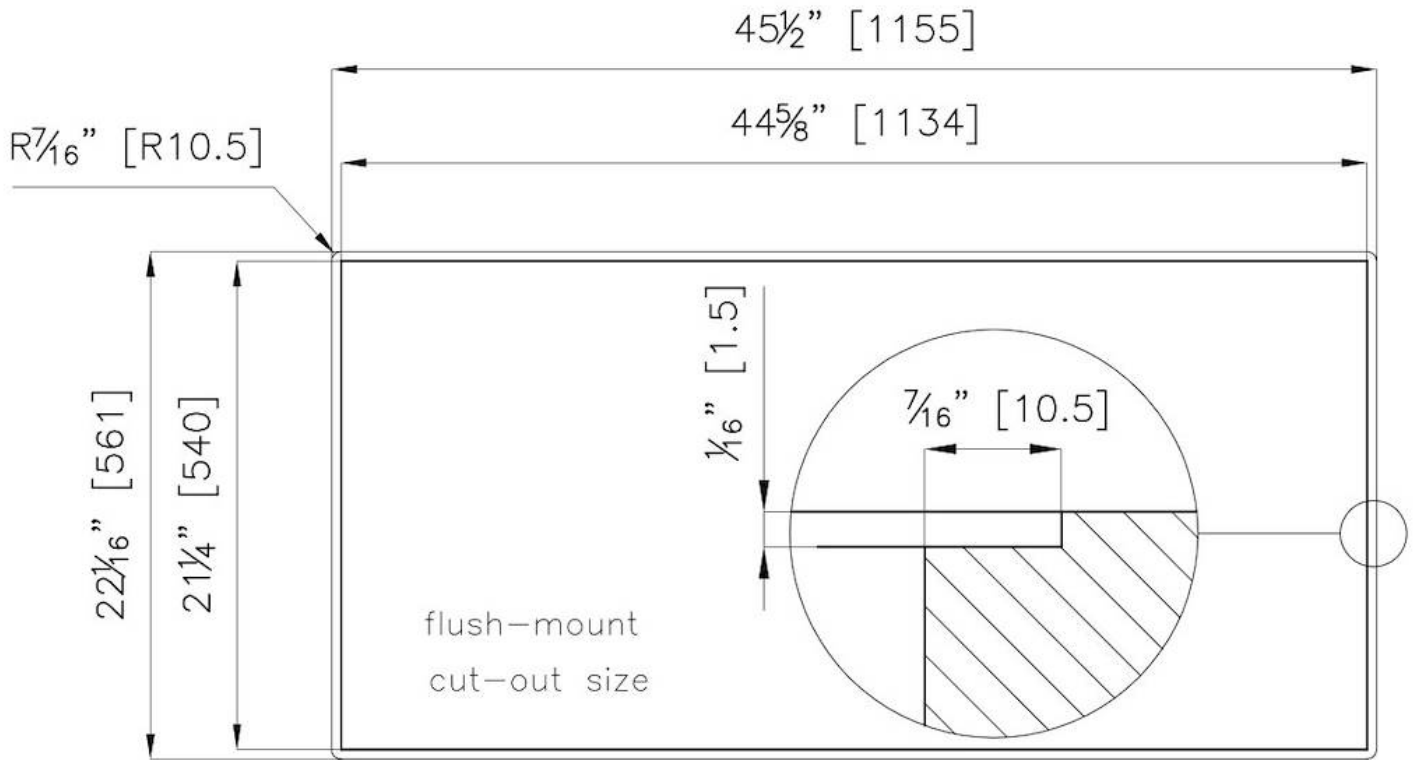
Ultra-flat hob

Design meets functionality in the the ultra-flat models. Elegant grids that form a generously sized overall surface.

## TECHNICAL DATA







## OPTIONAL ACCESSORIES



**Cast Iron Wok Support**  
9601 727

## RECOMMENDED PAIRINGS



**Sink Leonardo 40" x 20" - U/M**  
1015 660



**Oven Milano single Glass 30"**  
7168 906